



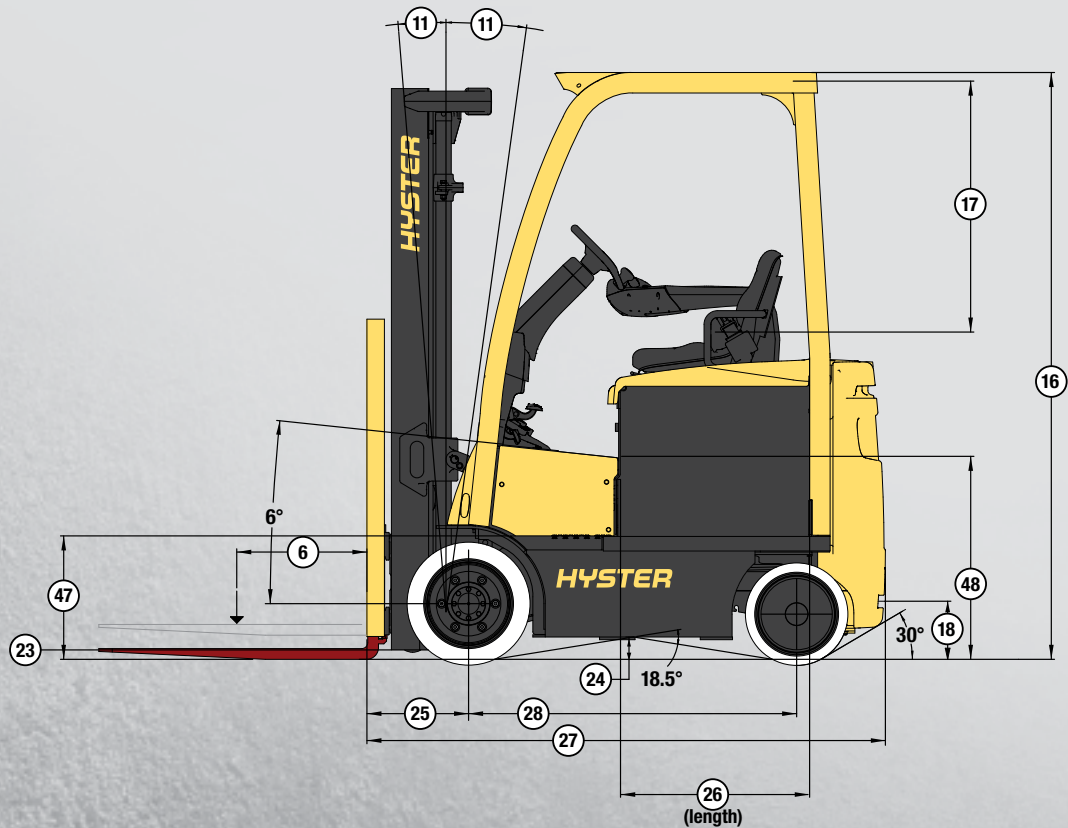
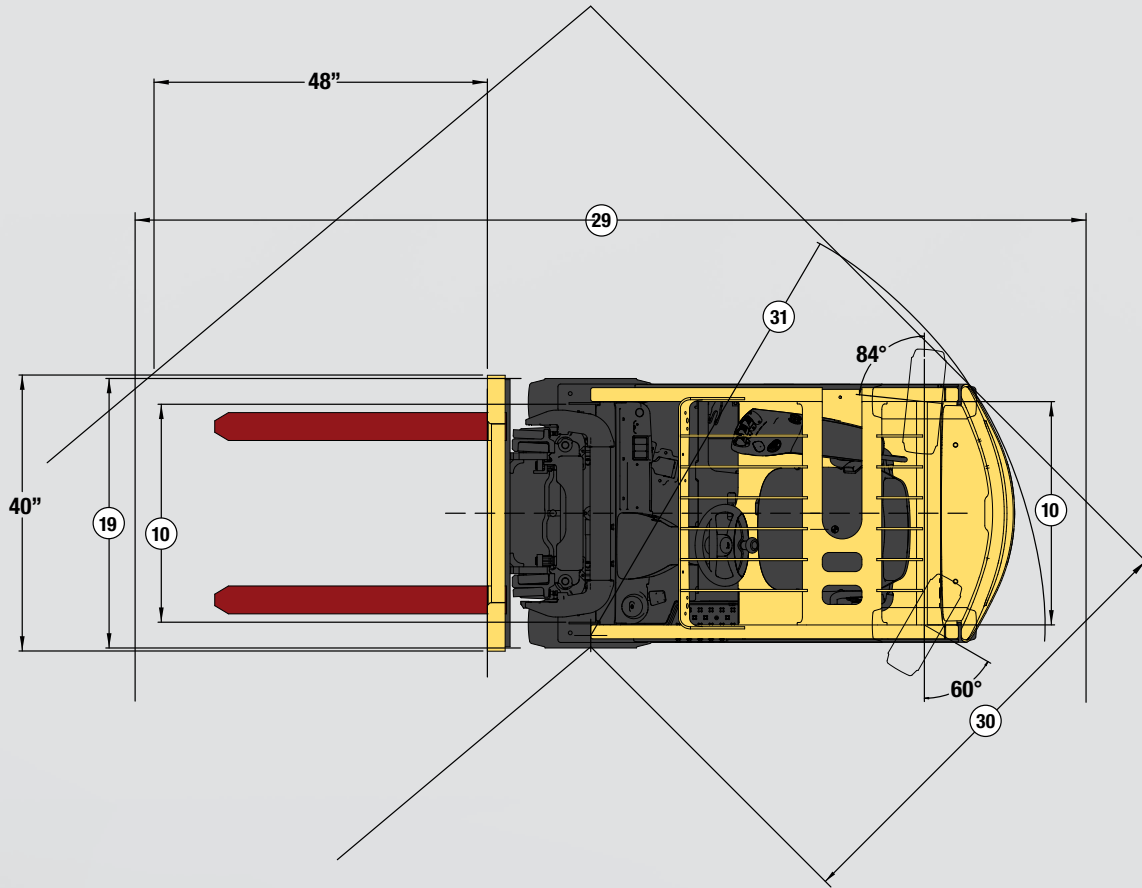
**STRONG PARTNERS.
TOUGH TRUCKS.™**



E30-40XN SERIES TECHNICAL GUIDE

WWW.HYSTER.COM

➤ E30-40XN DIMENSIONS



Circled dimensions correspond to the line numbers on the tabulated chart inside the Technical Guide. Dimensions are in inches (millimeters).

E30XN SPECIFICATIONS

GENERAL	1	Manufacturer			Hyster			
	2	Model Designation			E30XN			
	3	Power			Electric			
	4	Operation			Sit			
	5	Rated Capacity		lb (kg)	3000 (1361)			
	6	Load Center		in (mm)	24 (610)			
TIRES	7	Tire Type - Cushion, Solid, Pneumatic, etc.		Drive / Steer	Cushion / Cushion			
	8	Tire Size	Std	Drive / Steer	in	18 x 6 x 12.1 / 14 x 4.5 x 8		
	9		Opt	Drive / Steer	in	18 x 7 x 12.1 / 15 x 5 x 11.25		
	10	Wheels - Number	X=Driven	Drive / Steer		2X / 2		
DIMENSIONS	10	Tread - Drive	Center of Tires	Nar / Int / Wide 6" / Wide 7"	in (mm)	31 / 31.8 / 37 / 35.7 (788 / 808 / 939 / 906)		
	11	Tread - Steer	Center of Tires		in (mm)	32.4 (822)		
	12	Mast Tilt	Std Opt		degrees	5F / 5B 10F / 5B		
	13	Mast - Lowered Height	Std Mast		in (mm)	82 (2080)		
	14	Free Lift - Top of Fork	Std 2 Stg Limited Free Lift Mast		in (mm)	5 (140)		
	15		Opt 2 Stg Full Free Lift Mast with / without LBR		in (mm)	31 / 57 (807 / 1456)		
	16	Lift Height - Top of Fork	Std 2 Stg Limited Free Lift Mast		in (mm)	127 (3232)		
	17	Mast - Extended Height	Std Mast with / without LBR		in (mm)	176 / 150 (4455 / 3806)		
	18	Overhead Guard Height	Std & DIR / Opt Grid / Flat Plate		in (mm)	88.5 / 86.5 / 83.5 (2248 / 2197 / 2121)		
	19	SIP to Underside OHG	Susp at Mid-Point	Std / Full Susp	in (mm)	38.7 / 37.3 (984 / 949)		
	20	Tow Pin Height	Vertical Center of Pin		in (mm)	9.1 (232)		
	21	Overall Width	Nar / Int / Wide 6" / Wide 7" Tread		in (mm)	37.2 / 38.8 / 43 / 42.7 (945 / 986 / 1091 / 1084)		
	22	Forks	Thickness x Width x Length		in (mm)	1.6 x 3.9 x 42 (40 x 100 x 1067)		
	23	Standard Carriage Width	Class II		in (mm)	35.7 (907)		
	24	Floor to Top of Battery Rollers			in (mm)	17.1 (435)		
	25	Ground Clearance	Lowest Point	NL / RL	in (mm)	3.5 / 3.3 (90 / 84)		
	26	Ground Clearance	Center of Truck	NL / RL	in (mm)	3.9 / 3.6 (98 / 92)		
	27	Load Distance	Center of Wheel to Face of Forks		in (mm)	14.2 (360)		
	28	Battery Compartment	Height	Std / Battery Rollers	in (mm)	24 / 23.5 (610 / 597)		
	29		Width	UL Classification "E"/"EE"	in (mm)	35.8 / 35.6 (909 / 904)		
	30		Length		in (mm)	27.6 (700)		
	31	Length to Face of Forks	Chassis Length		in (mm)	75.1 (1908)		
	WT.	28	Wheelbase		in (mm)	48 (1220)		
		29	Right Angle Stack		in (mm)	127 (3226)		
		30	Equal Aisle	90° Intersecting Aisle		in (mm)	68.7 (1745)	
		31	Outside Turning Radius		in (mm)	64.7 (1644)		
	PERFORMANCE	32	Truck Weight	Without Battery	NL	lb (kg)	5130 (2327)	
		33	Axle Loading - Drive	Static with Max. Wt. Battery	NL / RL	lb (kg)	3460 / 8842 (1569 / 4011)	
		34	Axle Loading - Steer	Static with Max. Wt. Battery	NL / RL	lb (kg)	4163 / 1780 (1888 / 807)	
		35	Travel Speed	Extended Shift OFF	NL / RL	mph (km/h)	VOLTS	
							36	48
36		Lift Speed	Extended Shift ON	NL / RL	mph (km/h)	11.4 / 11.4 (18.4 / 18.4)	11.4 / 11.4 (18.4 / 18.4)	
			Std 2 Stg LFL Mast	NL / RL	ft/min (m/sec)	126 / 83 (0.64 / 0.424)	142 / 104 (0.72 / 0.53)	
37		Lower Speed	Opt 2 Stg FFL Mast	NL / RL	ft/min (m/sec)	113 / 75 (0.573 / 0.38)	127 / 94 (0.645 / 0.475)	
			Opt 3 Stg FFL Mast	NL / RL	ft/min (m/sec)	117 / 77 (0.594 / 0.393)	131 / 97 (0.668 / 0.492)	
			Std 2 Stg LFL Mast	NL / RL	ft/min (m/sec)	93 / 100 (0.47 / 0.51)		
			Opt 2 Stg FFL Mast	NL / RL	ft/min (m/sec)	73 / 91 (0.37 / 0.46)		
38		Gradeability	Opt 3 Stg FFL Mast	NL / RL	ft/min (m/sec)	81 / 94 (0.41 / 0.48)		
	5 Minute Rating		NL / RL	%	31.1 / 23.7	34 / 24.2		
39	Drawbar Pull	60 Minute Rating	NL / RL	%	7 / 5.4	7.4 / 5.8		
		5 Minute Rating	NL / RL	lbf (N)	2734 / 2856 (12163 / 12705)	2793 / 2914 (12422 / 12964)		
40	Brake	60 Minute Rating	NL / RL	lbf (N)	630 / 694 (2804 / 3087)	643 / 709 (2862 / 3156)		
		Method of Control	Service / Parking		Hydraulic / Mechanical			
ELECTRIC	41	Battery	Type		Lead Acid			
	42	Traction Motor	60 Minute Rating	hp (kW)	24.7 (18.4)	24.7 (18.4)		
	43	Pump Motor	S3-15%	hp (kW)	21.5 (16)	21.5 (16)		
	44	Traction Motor	Type / Control Method		AC / Transistor			
	45	Pump Motor	Type / Control Method		AC / Transistor			
	46	Number of Speeds	Traction / Pump		Infinitely Variable / Infinitely Variable			
OTHER	47	Step Height		in (mm)	18.7 (475)			
	48	Floor Height	Lowest Point	in (mm)	30.4 (772)			
	49	Attachment Relief Pressure	Mech Levers / Mini-levers	psi (bar)	2596 / 2596 (179 / 179)			
	50	Auxiliary Oil Flow	3rd Function / 4th Function	gal/min (l/min)	10.6 / 10.6 (40 / 40)			
	51	Sound Level	Measured per ANSI B56.11.5	dB (A)	64			

Above specifications, unless otherwise listed, are for a standard truck without optional equipment.

Right Angle Stack and Equal Intersecting Aisle dimensions provided with a 48" long and 40" wide pallet load, allowing zero clearance.

CERTIFICATION: Hyster lift trucks meet the design and construction requirements of B56.1-1969, per OSHA Section 1910.178(a)(2), and also comply with the B56.1 revision in effect at time of manufacture. Certification of compliance with the applicable ANSI standards appears on the lift truck.

NOTE: Performance specifications/ratings are for truck equipped as described under Standard Equipment in this technical guide. Performance specifications are affected by the condition of the vehicle and how it is equipped, as well as by the nature and condition of the operating area. Specifications are subject to change and the proposed application should be discussed with your authorized Hyster Company dealer.

E35XN SPECIFICATIONS

GENERAL	1	Manufacturer			Hyster		
	2	Model Designation			E35XN		
	3	Power			Electric		
	4	Operation			Sit		
	5	Rated Capacity		lb (kg)	3500 (1588)		
	6	Load Center		in (mm)	24 (610)		
TIRES	7	Tire Type - Cushion, Solid, Pneumatic, etc.		Drive / Steer	Cushion / Cushion		
	8	Tire Size	Std	Drive / Steer	18 x 6 x 12.1 / 14 x 4.5 x 8		
	9		Opt	Drive / Steer	18 x 7 x 12.1 / 15 x 5 x 11.25		
	10	Wheels - Number	X=Driven	Drive / Steer	2X / 2		
DIMENSIONS	10	Tread - Drive	Center of Tires	Nar / Int / Wide 6" / Wide 7"	in (mm)	31 / 31.8 / 37 / 35.7 (788 / 808 / 939 / 906)	
	11	Tread - Steer	Center of Tires		in (mm)	32.4 (822)	
	12	Mast Tilt	Std Opt		degrees	5F / 5B 10F / 5B	
	13	Mast - Lowered Height	Std Mast		in (mm)	82 (2080)	
	14	Free Lift - Top of Fork	Std 2 Stg Limited Free Lift Mast		in (mm)	5 (140)	
	15		Opt 2 Stg Full Free Lift Mast with / without LBR		in (mm)	31 / 57 (807 / 1456)	
	16	Lift Height - Top of Fork	Std 2 Stg Limited Free Lift Mast		in (mm)	127 (3232)	
	17	Mast - Extended Height	Std Mast with / without LBR		in (mm)	176 / 150 (4455 / 3806)	
	18	Overhead Guard Height	Std & DIR / Opt Grid / Flat Plate		in (mm)	88.5 / 86.5 / 83.5 (2248 / 2197 / 2121)	
	19	SIP to Underside OHG	Susp at Mid-Point	Std / Full Susp	in (mm)	38.7 / 37.3 (984 / 949)	
	20	Tow Pin Height	Vertical Center of Pin		in (mm)	9.1 (232)	
	21	Overall Width	Nar / Int / Wide 6" / Wide 7" Tread		in (mm)	37.2 / 38.8 / 43 / 42.7 (945 / 986 / 1091 / 1084)	
	22	Forks	Thickness x Width x Length		in (mm)	1.6 x 3.9 x 42 (40 x 100 x 1067)	
	23	Standard Carriage Width	Class II		in (mm)	35.7 (907)	
	24	Floor to Top of Battery Rollers			in (mm)	17.1 (435)	
	25	Ground Clearance	Lowest Point	NL / RL	in (mm)	3.5 / 3.3 (90 / 84)	
	26	Ground Clearance	Center of Truck	NL / RL	in (mm)	3.9 / 3.6 (98 / 92)	
	27	Load Distance	Center of Wheel to Face of Forks		in (mm)	14.2 (360)	
	28	Battery Compartment	Height	Std / Battery Rollers	in (mm)	24 / 23.5 (610 / 597)	
	29		Width	UL Classification "E"/"EE"	in (mm)	35.8 / 35.6 (909 / 904)	
	30		Length		in (mm)	27.6 (700)	
	31	Length to Face of Forks	Chassis Length		in (mm)	75.9 (1929)	
	32	Wheelbase			in (mm)	48 (1220)	
	33	Right Angle Stack			in (mm)	127.8 (3247)	
	34	Equal Aisle	90° Intersecting Aisle		in (mm)	68.8 (1748)	
	35	Outside Turning Radius			in (mm)	65.2 (1657)	
	WT.	32	Truck Weight	Without Battery	NL	lb (kg)	5390 (2445)
		33	Axle Loading - Drive	Static with Max. Wt. Battery	NL / RL	lb (kg)	3400 / 9679 (1542 / 4390)
		34	Axle Loading - Steer	Static with Max. Wt. Battery	NL / RL	lb (kg)	4483 / 1704 (2033 / 773)
		35				VOLTS	36 48
	PERFORMANCE	35	Travel Speed	Extended Shift OFF	NL / RL	mph (km/h)	11.4 / 11.4 (18.4 / 18.4)
36		Extended Shift ON		NL / RL	mph (km/h)	11.4 / 10.7 (18.4 / 17.3)	
36		Lift Speed	Std 2 Stg LFL Mast	NL / RL	ft/min (m/sec)	126 / 77 (0.64 / 0.392)	
37			Opt 2 Stg FFL Mast	NL / RL	ft/min (m/sec)	113 / 69 (0.573 / 0.351)	
37			Opt 3 Stg FFL Mast	NL / RL	ft/min (m/sec)	117 / 72 (0.594 / 0.364)	
37		Lower Speed	Std 2 Stg LFL Mast	NL / RL	ft/min (m/sec)	93 / 100 (0.47 / 0.51)	
38			Opt 2 Stg FFL Mast	NL / RL	ft/min (m/sec)	73 / 91 (0.37 / 0.46)	
38			Opt 3 Stg FFL Mast	NL / RL	ft/min (m/sec)	81 / 94 (0.41 / 0.48)	
38		Gradeability	5 Minute Rating	NL / RL	%	30.8 / 23 33.8 / 23.5	
39			60 Minute Rating	NL / RL	%	7 / 5.2 7.4 / 5.6	
39		Drawbar Pull	5 Minute Rating	NL / RL	lbf (N)	2681 / 2800 (11924 / 12455) 2738 / 2857 (12178 / 12709)	
40			60 Minute Rating	NL / RL	lbf (N)	618 / 680 (2748 / 3026) 630 / 694 (2804 / 3088)	
40	Brake	Method of Control	Service / Parking		Hydraulic / Mechanical		
41		Method of Operation	Service / Parking		Foot / Foot (Optional Park Brake - Automatic)		
ELECTRIC	41	Battery	Type		Lead Acid		
	42	Traction Motor	60 Minute Rating	hp (kW)	24.7 (18.4)	24.7 (18.4)	
	43	Pump Motor	S3-15%	hp (kW)	21.5 (16)	21.5 (16)	
	44	Traction Motor	Type / Control Method		AC / Transistor		
	45	Pump Motor	Type / Control Method		AC / Transistor		
	46	Number of Speeds	Traction / Pump		Infinitely Variable / Infinitely Variable		
OTHER	47	Step Height		in (mm)	18.7 (475)		
	48	Floor Height	Lowest Point	in (mm)	30.4 (772)		
	49	Attachment Relief Pressure	Mech Levers / Mini-levers	psi (bar)	2596 / 2596 (179 / 179)		
	50	Auxiliary Oil Flow	3rd Function / 4th Function	gal/min (l/min)	10.6 / 10.6 (40 / 40)		
	51	Sound Level	Measured per ANSI B56.11.5	dB (A)	64		

Above specifications, unless otherwise listed, are for a standard truck without optional equipment.

Right Angle Stack and Equal Intersecting Aisle dimensions provided with a 48" long and 40" wide pallet load, allowing zero clearance.

CERTIFICATION: Hyster lift trucks meet the design and construction requirements of B56.1-1969, per OSHA Section 1910.178(a)(2), and also comply with the B56.1 revision in effect at time of manufacture. Certification of compliance with the applicable ANSI standards appears on the lift truck.

NOTE: Performance specifications/ratings are for truck equipped as described under Standard Equipment in this technical guide. Performance specifications are affected by the condition of the vehicle and how it is equipped, as well as by the nature and condition of the operating area. Specifications are subject to change and the proposed application should be discussed with your authorized Hyster Company dealer.

E40XN SPECIFICATIONS

GENERAL	1	Manufacturer			Hyster		
	2	Model Designation			E40XN		
	3	Power			Electric		
	4	Operation			Sit		
	5	Rated Capacity		lb (kg)	4000 (1814)		
	6	Load Center		in (mm)	24 (610)		
TIRES	7	Tire Type - Cushion, Solid, Pneumatic, etc.		Drive / Steer	Cushion / Cushion		
	8	Tire Size	Std	Drive / Steer	in	18 x 7 x 12.1 / 15 x 5 x 11.25	
	9		Opt	Drive / Steer	in	N / A / N / A	
	10	Wheels - Number	X=Driven	Drive / Steer		2X / 2	
DIMENSIONS	10	Tread - Drive	Center of Tires	Nar / Int / Wide 6" / Wide 7"	in (mm)	N/A / 31.8 / N/A / 35.7 (N/A / 808 / N/A / 906)	
		Tread - Steer	Center of Tires		in (mm)	32.2 (817)	
	11	Mast Tilt	Std Opt		degrees	5F / 5B 10F / 5B	
	12	Mast - Lowered Height	Std Mast		in (mm)	82 (2080)	
	13	Free Lift - Top of Fork	Std 2 Stg Limited Free Lift Mast		in (mm)	5 (140)	
			Opt 2 Stg Full Free Lift Mast with / without LBR		in (mm)	31 / 57 (807 / 1456)	
	14	Lift Height - Top of Fork	Std 2 Stg Limited Free Lift Mast		in (mm)	127 (3232)	
	15	Mast - Extended Height	Std Mast with / without LBR		in (mm)	176 / 150 (4455 / 3806)	
	16	Overhead Guard Height	Std & DIR / Opt Grid / Flat Plate		in (mm)	88.5 / 86.5 / 83.5 (2248 / 2197 / 2121)	
	17	SIP to Underside OHG	Susp at Mid-Point	Std / Full Susp	in (mm)	38.7 / 37.3 (984 / 949)	
	18	Tow Pin Height	Vertical Center of Pin		in (mm)	9.1 (232)	
	19	Overall Width	Nar / Int / Wide 6" / Wide 7" Tread		in (mm)	38.8 / 42.7 (986 / 1084)	
	20	Forks	Thickness x Width x Length		in (mm)	1.6 x 3.9 x 42 (40 x 100 x 1067)	
	21	Standard Carriage Width	Class II		in (mm)	35.7 (907)	
	22	Floor to Top of Battery Rollers			in (mm)	17.1 (435)	
	23	Ground Clearance	Lowest Point	NL / RL	in (mm)	3.5 / 3.3 (90 / 84)	
	24	Ground Clearance	Center of Truck	NL / RL	in (mm)	3.9 / 3.6 (98 / 92)	
	25	Load Distance	Center of Wheel to Face of Forks		in (mm)	14.2 (360)	
	26	Battery Compartment	Height	Std / Battery Rollers	in (mm)	24 / 23.5 (610 / 597)	
			Width	UL Classification "E"/"EE"	in (mm)	35.8 / 35.6 (909 / 904)	
			Length		in (mm)	27.6 (700)	
	27	Length to Face of Forks	Chassis Length		in (mm)	77.5 (1968)	
	28	Wheelbase			in (mm)	48 (1220)	
	29	Right Angle Stack			in (mm)	128.7 (3270)	
	30	Equal Aisle	90° Intersecting Aisle		in (mm)	69.1 (1754)	
	31	Outside Turning Radius			in (mm)	66.6 (1692)	
	WT.	32	Truck Weight	Without Battery	NL	lb (kg)	5770 (2617)
		33	Axle Loading - Drive	Static with Max. Wt. Battery	NL / RL	lb (kg)	3336 / 10512 (1513 / 4768)
		34	Axle Loading - Steer	Static with Max. Wt. Battery	NL / RL	lb (kg)	4925 / 1749 (2234 / 793)
						VOLTS	36 48
	PERFORMANCE	35	Travel Speed	Extended Shift OFF	NL / RL	mph (km/h)	11.4 / 10.5 (18.4 / 16.9)
			Extended Shift ON	NL / RL	mph (km/h)	11.4 / 9.5 (18.4 / 15.3)	
36		Lift Speed	Std 2 Stg LFL Mast	NL / RL	ft/min (m/sec)	126 / 74 (0.64 / 0.376)	
			Opt 2 Stg FFL Mast	NL / RL	ft/min (m/sec)	113 / 66 (0.573 / 0.337)	
			Opt 3 Stg FFL Mast	NL / RL	ft/min (m/sec)	117 / 69 (0.594 / 0.349)	
37		Lower Speed	Std 2 Stg LFL Mast	NL / RL	ft/min (m/sec)	93 / 100 (0.47 / 0.51)	
			Opt 2 Stg FFL Mast	NL / RL	ft/min (m/sec)	73 / 91 (0.37 / 0.46)	
			Opt 3 Stg FFL Mast	NL / RL	ft/min (m/sec)	81 / 94 (0.41 / 0.48)	
38		Gradeability	5 Minute Rating	NL / RL	%	30.4 / 22.7 33.6 / 23.2	
			60 Minute Rating	NL / RL	%	7 / 5 7.4 / 5.4	
39	Drawbar Pull	5 Minute Rating	NL / RL	lbf (N)	2621 / 2744 (11658 / 12205) 2681 / 2801 (11924 / 12459)		
		60 Minute Rating	NL / RL	lbf (N)	605 / 667 (2693 / 2965) 617 / 680 (2745 / 3023)		
40	Brake	Method of Control	Service / Parking		Hydraulic / Mechanical		
		Method of Operation	Service / Parking		Foot / Foot (Optional Park Brake - Automatic)		
ELECTRIC	41	Battery	Type		Lead Acid		
	42	Traction Motor	60 Minute Rating	hp (kW)	24.7 (18.4)	24.7 (18.4)	
	43	Pump Motor	S3-15%	hp (kW)	21.5 (16)	21.5 (16)	
	44	Traction Motor	Type / Control Method		AC / Transistor		
	45	Pump Motor	Type / Control Method		AC / Transistor		
	46	Number of Speeds	Traction / Pump		Infinitely Variable / Infinitely Variable		
OTHER	47	Step Height		in (mm)	18.7 (475)		
	48	Floor Height	Lowest Point	in (mm)	30.4 (772)		
	49	Attachment Relief Pressure	Mech Levers / Mini-levers	psi (bar)	2596 / 2596 (179 / 179)		
	50	Auxiliary Oil Flow	3rd Function / 4th Function	gal/min (l/min)	10.6 / 10.6 (40 / 40)		
	51	Sound Level	Measured per ANSI B56.11.5	dB (A)	64		

Above specifications, unless otherwise listed, are for a standard truck without optional equipment.

Right Angle Stack and Equal Intersecting Aisle dimensions provided with a 48" long and 40" wide pallet load, allowing zero clearance.

CERTIFICATION: Hyster lift trucks meet the design and construction requirements of B56.1-1969, per OSHA Section 1910.178(a)(2), and also comply with the B56.1 revision in effect at time of manufacture. Certification of compliance with the applicable ANSI standards appears on the lift truck.

NOTE: Performance specifications/ratings are for truck equipped as described under Standard Equipment in this technical guide. Performance specifications are affected by the condition of the vehicle and how it is equipped, as well as by the nature and condition of the operating area. Specifications are subject to change and the proposed application should be discussed with your authorized Hyster Company dealer.

➤ E30-40XN MAST AND BATTERY DIMENSIONS

E30-40XN MAST DIMENSIONS					
Maximum Fork Height (TOF)	Overall Lowered Height	Overall Extended Height w/Load Backrest	Overall Extended Height w/o Load Backrest	Free Lift (TOF) w/ Load Backrest	Free Lift (TOF) w/o Load Backrest
in (mm)	in (mm)	in (mm)	in (mm)	in (mm)	in (mm)
2-STAGE LIMITED FREE LIFT (LFL) MAST					
127 (3232)	82 (2080)	176 (4455)	150 (3806)	5 (140)	5 (140)
2-STAGE FULL FREE LIFT (FFL) MAST					
126 (3218)	82 (2080)	176 (4461)	151 (3812)	31 (807)	57 (1456)
138 (3518)	88 (2230)	188 (4761)	162 (4112)	37 (957)	63 (1606)
3-STAGE FULL FREE LIFT (FFL) MAST					
181 (4600)	80 (2030)	230 (5823)	204 (5174)	29 (757)	55 (1406)
187 (4750)	82 (2080)	236 (5973)	210 (5324)	31 (807)	57 (1455)
192 (4900)	84 (2130)	242 (6123)	216 (5474)	33 (857)	59 (1506)
198 (5050)	88 (2230)	247 (6273)	222 (5624)	37 (957)	63 (1606)
216 (5500)	94 (2380)	265 (6723)	240 (6074)	43 (1107)	69 (1756)

BATTERY AND COMPARTMENT SPECIFICATIONS TRUCKS WITH UL TYPE "E" CONSTRUCTION													
Battery Compartment Dimensions				Battery Dimensions and Specifications									
Compartment Type	Width	Length	Height	"X"		"Y"		"Z"	Volts	No. of Cells	Max Capacity 6 Hour Rate	Weight	
				Min	Max	Min	Max	Max				Min	Max
	in (mm)			in (mm)					amp hr (kwh)	lb (kg)			
Vertical Removal (Lift Out)	35.8 (909)	27.6 (700)	24.0 (610)	30.9 (784)	35.7 (907)	25.7 (654)	27.2 (692)	23.5 (598)	36	18	1200 (40.6)	1850 (839)	2500 (1132)
									48	24	1000 (45.2)		
Horizontal Removal with Battery Rollers	35.8 (909)	27.6 (700)	23.5 (597)	30.9 (784)	35.7 (907)	25.7 (654)	27.2 (692)	23.0 (585)	36	18	1200 (40.6)	1850 (839)	2500 (1132)
									48	24	1000 (45.2)		

BATTERY AND COMPARTMENT SPECIFICATIONS TRUCKS WITH UL TYPE "EE" CONSTRUCTION													
Battery Compartment Dimensions				Battery Dimensions and Specifications									
Compartment Type	Width	Length	Height	"X"		"Y"		"Z"	Volts	No. of Cells	Max Capacity 6 Hour Rate	Weight	
				Min	Max	Min	Max	Max				Min	Max
	in (mm)			in (mm)					amp hr (kwh)	lb (kg)			
Vertical Removal (Lift Out)	35.6 (904)	27.6 (700)	24.0 (610)	30.9 (784)	35.5 (902)	25.7 (654)	27.2 (692)	23.5 (598)	36	18	1200 (40.6)	1850 (839)	2500 (1132)
									48	24	1000 (45.2)		
Horizontal Removal with Battery Rollers	35.6 (904)	27.6 (700)	23.5 (597)	30.9 (784)	35.5 (902)	25.7 (654)	27.2 (692)	23.0 (585)	36	18	1200 (40.6)	1850 (839)	2500 (1132)
									48	24	1000 (45.2)		

Battery Type: "EO" (Without Cover)
 Battery amp hr (kwh) capacity is max allowable per UL
 Commercially available lead acid batteries may not necessarily reach these max limits
 Battery Compartment Length is measured front to rear
 Battery Compartment Width is measured across the truck

Battery Notes – Conventional Charging (Opt G26201)
 Battery Connector: 36 volt - Grey SB®350 (Anderson Power Products® P/N 6320G1 or equivalent)
 48 volt - Blue SB®350 (Anderson Power Products® P/N 6321G1 or equivalent)
 Battery Lead: Length 20" (508mm). Position "B", 2/0 AWG

Battery Notes – Rapid/Fast Charging (Opt G26202)
 Battery Connector: Requires Dual Positive/Negative Cabling terminating in (2) Female EBC-320 DIN Connectors (Anderson Power Products® P/N A32503-0009 or equivalent)
 Each individual DIN connector to include 1 Red Conductor to (+) and 1 Black Conductor to (-)
 Battery Lead: Length 25" (635mm). Position "B", Minimum Cable Size 3/0 AWG

STANDARD EQUIPMENT

- 2-stage limited free lift (LFL) mast with maximum fork height of 127" (3232mm)
- 5° forward and 5° back mast tilt
- 35.7" (907mm) wide Class II hook-type carriage with 48" (1220mm) high load backrest extension
- 42" (1067mm) long forks
- Smooth tread rubber drive tire and steer tire
- Battery compartment size – 27.6"
- Lift out battery extraction
- 36-volt electrical system
- Standard construction
- UL Classification Type "E"
- 12" steering wheel with integral spinner knob
- Non-suspension vinyl seat
- Foot applied / hand released park brake
- Key switch start
- 88.5" grid style overhead guard
- MONOTROL® foot direction control
- 3-function hydraulic control valve with seatside mechanical levers
- AC traction and pump motors (completely brushless)
- Transistor drive and pump control
- Advanced VSM (Vehicle System Manager)
- Progressive Thermal Management System
- Fully integrated CANbus communication
- On-demand hydrostatic power assist steer system
- Hyster Stability System (HSS®)
- Power assist braking
- ADS (Auto Deceleration System) with regenerative braking
- Multifunction display
 - Battery state of charge with low battery lift interrupt
 - Hour meter
 - Performance mode indicator
 - Fault indicator
 - 4 operator selectable, programmable performance modes
- Easy ingress / egress with low step height and contoured handhold
- Operator convenience station - storage areas, beverage & clipboard holders
- Adjustable tilt steering column with low profile cowl for enhanced visibility
- Black, non-cinch seat belt with Emergency Locking Retractor (ELR)
- Cushioned floormat
- Static strap
- Tow pin
- Seatside power disconnect button
- On-board software
 - Program, test & diagnose
 - Password protected
- Electronic horn with integral relay (long life / no adjustments)
- 24 month / 4,000 hour powertrain warranty
- 12 month / 2,000 hour full truck warranty
- Operating manual


OPTIONAL EQUIPMENT

- Side extraction battery removal with rollers
- 48-volt electrical system
- Rapid / fast charge
- Cooler / freezer package – operating temperatures: -20°F to +120° F
- UL Classification Type "EE"
- Available with 2-stage limited free lift (LFL) and 2 or 3-stage full free lift (FFL) VISTA™ masts
- Carriage with integral sideshift
- Carriage with integral sideshifting fork positioner
- Mast tilt option – 10° forward / 5° back
- Return to set tilt
- Accumulator
- TouchPoint hydraulic mini-levers with fully adjustable armrest
- 4-function hydraulic control valve
- Non-marking smooth rubber tires
- Lug tread tires
- Intermediate and wide tread
- Non-suspension seat (cloth)
- Full-suspension seat (vinyl or cloth)
- 86.5" grid style overhead guard
- 83.5" flat plate overhead guard
- 88.5" drive-in rack grid style overhead guard
- Keyless start (with auxiliary key switch)
- Seatside directional control
- Automatic electro-mechanical park brake
- Telescopic steering column with tilt memory
- Key switch controlled lights
- LED and halogen work light packages
- LED dome / reading light
- Basic and premium LED brake / tail / back-up light packages
- Audible alarm – reverse operation (manually adjustable to 87, 97 or 102 dB)
- Visible amber strobe light - continuous activated, overhead guard mounted
- Rear drive handle with integrated horn button
- Mirrors – dual rear view or single panoramic
- Load weight indicator
- Impact monitor
- Operator password
- Operator daily checklist
- System monitor – hydraulic low fluid level indicator and hydraulic filter service indicator
- Hydraulic attachment extension tubes with quick disconnect fittings
- Fire extinguisher – 2.5 lb. dry chemical
- Red, high-visibility, non-cinch seat belt with or without start interlock
- Low mount display



Hyster Company
P.O. Box 7006
Greenville, North Carolina
27835-7006
Part No. E30-40XN/TG
6/2015 Litho in U.S.A.

Visit us online at www.hyster.com or call us at **1-800-HYSTER-1**.

Hyster, , and STRONG PARTNERS. TOUGH TRUCKS. and MONOTROL are registered trademarks in the United States and certain other jurisdictions. Hyster products are subject to change without notice.

Trucks may be shown with optional equipment. © 2017 Hyster Company. All rights reserved.